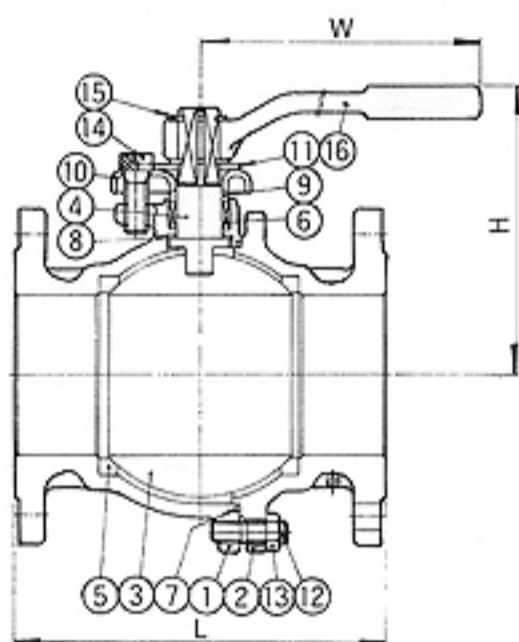
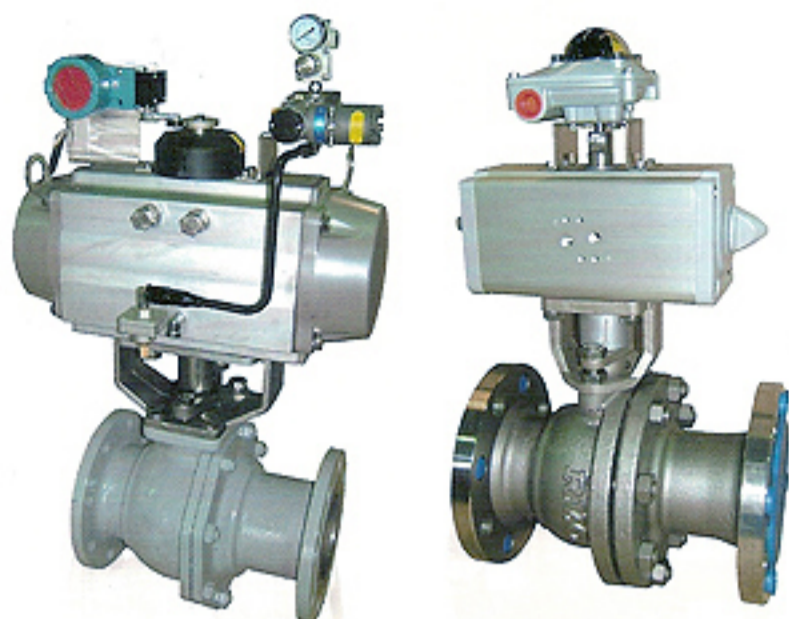


RFB SERIES BALL VALVE(Flg'd End's)



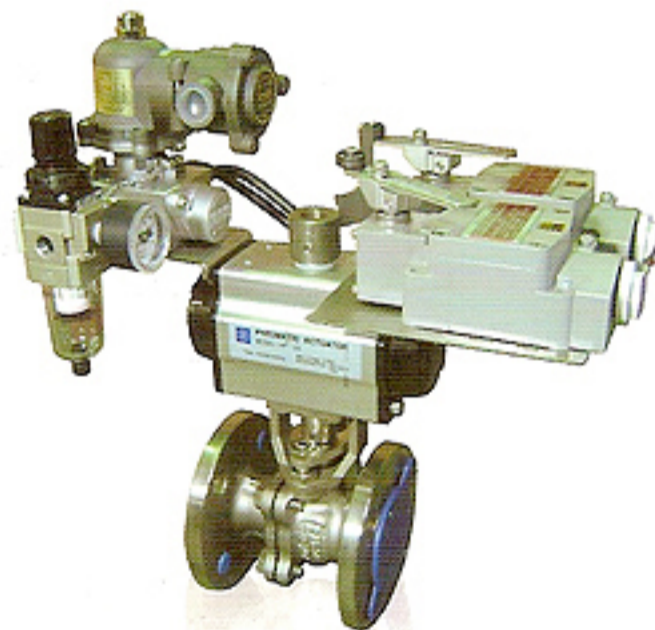
Operated

Material Specification

No.	Part Name	Material
1	Body	Stainless Steel
2	Cap	Stainless Steel
3	Ball	Stainless Steel
4	Stem	Stainless Steel
5	Seat Ring	Teflon(Glass 15%)
6	Packing	Teflon
7	Gasket	Teflon
8	Back Seat Ring	Teflon
9	Washer	Stainless Steel
10	Gland	Stainless Steel
11	Stopper	Stainless Steel
12	Stud Bolt	Stainless Steel
13	Hex' Nut	Stainless Steel
14	Gland Bolt	Stainless Steel
15	Snap Ring	Carbon Steel(w/Ni coat')
16	Hand Lever	Ductile Iron

Standard Design

- a) Test Press' : API 598, ANSI B 16.34
- b) Face to Face : ANSI B 16.10
- c) Flange Dimension : ANSI B 16.5, JIS B 2214



Dimensions

Class	Size	1/2"	3/4"	1"	1-1/4"	1-1/2"	2"	2-1/2"	3"	4"	5"		6"		8"		10"	12"	14"
											S	L	S	L	S	L			
JIS 10kg/cm ² & ANSI 150lb'/in ²	L	108	117	127	140	165	178	190	203	229	254	356	267	394	292	457	533	610	686
	H	59	65	73	91	96	104	116	136	154	210	210	235	235	306	306	342	408	462
	W	125	125	155	155	220	220	280	280	280	280	400	400	400	400	520	520	650	900
JIS 20kg/cm ² & ANSI 300lb'/in ²	L	140	152	165	178	190	216	241	283	305		381		403		502	568	648	762
	H	66	72	76	100	108	112	120	185	210		255		280		330	405	456	512
	W	125	155	220	220	280	280	380	400	400		520		650		900	1200	1200	1500